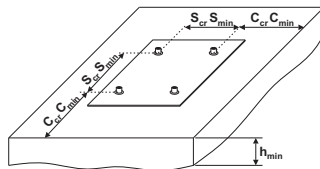
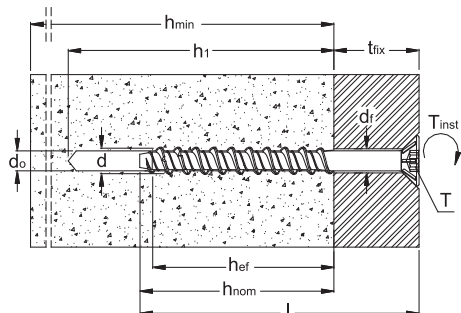


**HXS 01** Patented flat CSK head with ribs concrete screw

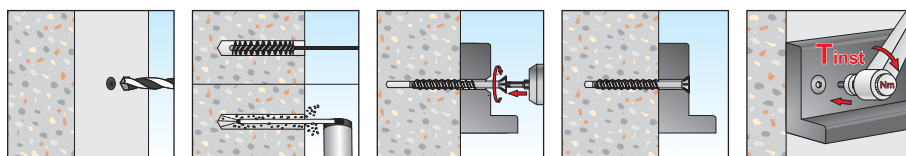


**TECHNICAL DATA SHEET**



$d_v \times l_v$	screw diameter x screw length
$t_{fix}$	maximum thickness of fixture
$d_o$	drill hole diameter
$h_1$	depth of drill hole
$h_{min}$	thickness of concrete member
$h_{nom}$	overall anchor embedment depth
$h_{ef}$	effective anchorage depth
$d_f$	diameter of clearance hole in the fixture
$T_{inst}$	required torque moment
$T$	6 lobe recess
$c_{min}$	minimum allowable edge distance
$s_{min}$	minimum allowable spacing
$c_{cr}$	edge distance for ensuring the transmission of the characteristic resistance of a single anchor
$s_{cr}$	spacing for ensuring the transmission of the characteristic resistance of a single anchor

**Coating:**  
 Special grey finishing, made of zinc-aluminium flake, with a corrosion resistance of minimum 500 h in neutral salt spray test (tests according to ISO 9227)



**TECHNICAL DATA AND TEST REPORT OF HXS 01 SCREWS IN NON-CRACKED CONCRETE C20/25**

Item Code	Screw size $d_v \times l_v$ (mm)	$t_{fix}$ (mm)	$d_o$ (mm)	$h_1$ (mm)	$h_{min}$ (mm)	$h_{nom}$ (mm)	$h_{ef}$ (mm)	$d_f$ (mm)	$T_{inst}$ (Nm)	$T$	$c_{min}$ (mm)	$s_{min}$ (mm)	$c_{cr}$ (mm)	$s_{cr}$ (mm)	CHARACTERISTIC LOADS (kN)	
															PULL OUT	SHEAR
<b>Ø 6</b>																
HXS 01 06 060	6,6 x 60	10	5	65	100	50	40	7	15	T 30	40	40	60	120	<b>6,8</b>	<b>6</b>
HXS 01 06 080	6,6 x 80	30														
HXS 01 06 100	6,6 x 100	50														
HXS 01 06 120	6,6 x 120	70														
<b>Ø 8</b>																
HXS 01 08 045	7,8 x 45	5	6	75	100	60	50	9	20	T 30	30	30	45	90	<b>6,8</b>	<b>8,8</b>
HXS 01 08 060	7,8 x 60	10														
HXS 01 08 070	7,8 x 70	10														
HXS 01 08 080	7,8 x 80	20														
HXS 01 08 100	7,8 x 100	40														
HXS 01 08 120	7,8 x 120	60														
HXS 01 08 140	7,8 x 140	80														
<b>Ø 10</b>																
HXS 01 10 080	10 x 80	10	8	90	110	70	55	12	50	T 40	55	55	82,5	165	<b>15,6</b>	<b>18</b>
HXS 01 10 100	10 x 100	30														
HXS 01 10 120	10 x 120	50														
HXS 01 10 140	10 x 140	70														
HXS 01 10 160	10 x 160	90														
<b>Ø 12</b>																
HXS 01 12 100	12 x 100	20	10	100	120	80	60	14	80	T 50	60	60	90	180	<b>20</b>	<b>28</b>
HXS 01 12 120	12 x 120	40														
HXS 01 12 140	12 x 140	60														
HXS 01 12 180	12 x 180	100														

For all specification not included in the table, please contact Tecfi Lab

Pull-out and shear showed in the table are CHARACTERISTIC LOADS from tests run on non-cracked concrete C20/25 without edge and spacing effect (Pull-out and shear loads are in kN: 1kN = 100Kg).