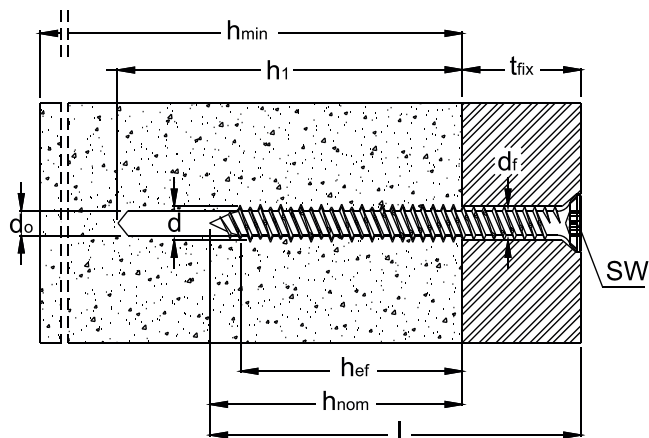


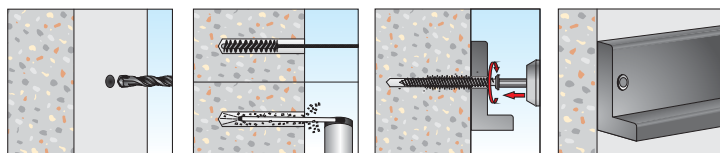
GS 01 6-lobe recess flat CSK head concrete screw (HI-Lo thread) with ribs, hardened, zinc plated



TECHNICAL DATA SHEET



$d_v \times l_v$	screw diameter x screw length
t_{fix}	maximum thickness of fixture
d_o	drill hole diameter
h_1	depth of drill hole
h_{min}	minimum thickness of the member
h_{nom}	overall anchor embedment depth
h_{ef}	effective anchorage depth
d_f	diameter of clearance hole in the fixture
SW	wrench size
c_{min}	minimum allowable edge distance
s_{min}	minimum allowable spacing
c_{cr}	edge distance for ensuring the transmission of the characteristic resistance of a single anchor
s_{cr}	spacing for ensuring the transmission of the characteristic resistance of a single anchor



TECHNICAL DATA AND TEST REPORT OF Tecfi GS 01 SCREWS IN NON-CRACKED CONCRETE C20/25

Item Code	Screw Size $d_v \times l_v$ (mm)	t_{fix} (mm)	d_o (mm)	h_1 (mm)	h_{min} (mm)	h_{nom} (mm)	h_{ef} (mm)	d_f (mm)	SW (mm)	c_{min} (mm)	s_{min} (mm)	c_{cr} (mm)	s_{cr} (mm)	CHARACTERISTIC LOADS (kN)	
														PULL OUT	SHEAR
Ø 7,5															
GS 01 75 050	7,5 x 50	10	6*	65	100	40	35	9	T 30	40	40	50	105	6,00	7,58
GS 01 75 060	7,5 x 60	20													
GS 01 75 080	7,5 x 80	40													
GS 01 75 090	7,5 x 90	50													
GS 01 75 100	7,5 x 100	60													
GS 01 75 120	7,5 x 120	80													
GS 01 75 135	7,5 x 135	95													
GS 01 75 150	7,5 x 150	110													
GS 01 75 180	7,5 x 180	140													
GS 01 75 200	7,5 x 200	160													

* For Concrete with Strength more then Rck 45 N/mm², it needs to drill a hole of diameter 6,5

For all specification not included in the table, please contact Tecfi Lab

Pull-out and shear showed in the table are CHARACTERISTIC LOADS from tests run on non-cracked concrete C20/25 without edge and spacing effect (Pull-out and shear loads are in kN: 1kN = 100Kg).